



## Extron RGBHV - CAT5 Transmitter/ Receiver

### CAT 5 R BNC AV

CAT 5 RGB Computer Video, Composite Video, and Audio Receiver

**RETIRED PRODUCT**



Model	Version Description	Part #
CAT 5 R BNC AV receiver		60-350-01

***This product has been retired.***

#### SUGGESTED REPLACEMENT

- 

#### DESCRIPTION

Extron's CAT 5 R BNC AV RGB/Video Receiver receives long-distance transmissions of analog RGB computer video with PC audio and NTSC/PAL composite video with stereo audio on two Category 5 unshielded twisted pair (UTP) cables. The CAT 5 R BNC AV RGB/Video Receiver lets A/V professionals take advantage of the smaller size, increased flexibility, and lower cost of CAT 5 UTP cable.

The CAT 5 R BNC AV RGB/Video Receiver receives the RGB computer video and PC audio on an RJ-45 female connector and the composite video and stereo audio on a second RJ-45. The CAT 5 R BNC AV outputs the RGB computer video on female BNC connectors and the composite video on a single female BNC connector. The two 2-channel audio transmissions received are each output on unbalanced (left/right) RCA connectors and also balanced or unbalanced on a 3.5 mm, 5-pole captive screw connector.

The computer video receiver of the CAT 5 R BNC AV handles signals with a 15-130 kHz horizontal scan rate, a 30-150 Hz vertical scan rate, and it is compatible with nearly every computer and video signal type, including VGA, SVGA, XGA, SXGA, Mac, Sun, and SGI. The composite video receiver handles NTSC and PAL video. Special image enhancement features, automatic and manual level and peaking adjustments, give the CAT 5 R BNC AV the ability



to compensate for cable length and to improve the brightness and sharpness of both the RGB computer video image and the composite video image. Separate H and V sync, composite sync, and sync-on-green outputs of the RGB computer video are DIP switch-selectable. (Sync is passed through from the transmitter, not stripped by the receiver.) DIP switches inside the box allow selection of serration pulse removal, DDSPTM sync processing (unmodified sync), sync negative, and vertical sync pulse width adjustment. Optional mounting kits allow the CAT 5 R BNC AV to be rack mounted or mounted under or through a desk surface. The through-desk mount keeps the power/signal LED visible while keeping the power and input/output connections out of sight.

**OPTIONAL ACCESSORIES**

- RSU 129 Universal Rack Shelf Kit for 9.5" Deep Products

**SPECIFICATIONS**

**Specifications – CAT 5 Receivers**  
**Video**

Number/signal type 1 or 2 sets of proprietary analog signals  
 Connectors 1 or 2 RJ-45 female  
 Video input – refer to the CAT 5 Transmitters Family  
 User's Manual, part #68-546-01

**Video output**

Number/signal type  
 CAT 5 R BNC A 1 analog RGBHV, RGBS, RGsB, component video, or S-video;  
 or 1 S-video and 1 NTSC/PAL/SECAM composite video from a  
 single source;  
 or 3 NTSC/PAL composite video from a single source  
 CAT 5 R BNC AV 1 analog RGBHV, RGBS, RGsB, component video, or S-video;  
 or 1 S-video and 1 NTSC/PAL/SECAM composite video from a  
 single source;  
 or 3 NTSC/PAL/SECAM composite video from a single source  
 and 1 NTSC/PAL/SECAM composite video  
 CAT 5 R AV 1 NTSC/PAL/SECAM composite video  
 Connectors  
 CAT 5 R BNC A 5 BNC female



CAT 5 R BNC AV	6 BNC female
CAT 5 R AV	1 BNC female
Minimum/maximum levels	0.3V to 1.45V p-p
Impedance	75 ohms

#### Audio

Number/signal type	1 or 2 sets of analog proprietary signals
Connectors	1 or 2 RJ-45 female
Frequency response	20 Hz to 20 kHz, $\pm 0.05$ dB
THD + noise	0.03% @ 1 kHz, 0.3% @ 20 kHz at rated maximum output drive (+19.5dBu input, +21dBu output)
S/N	>90dB at output +21dBu
Crosstalk	>80dB @ 1 kHz, fully loaded
Stereo channel separation	>80dB @ 1 kHz
CMRR	>75dB @ 20 Hz to 20 kHz
Audio input — refer to the CAT 5 Transmitters Family User's Manual, part #68-546-01	

#### Audio output

Number/signal type	
CAT 5 R BNC A, CAT 5 R AV	1 stereo audio balanced/unbalanced, and 1 stereo audio unbalanced
CAT 5 R BNC AV	2 stereo audio balanced/unbalanced, and 2 stereo audio unbalanced
Connectors	2 female RCA (left/right) per input 1: 3.5 mm, 5-pole captive screw connector per input
Impedance	50 ohms unbalanced, 100 ohms balanced
Gain error	$\pm 0.1$ dB channel to channel
Maximum level (600 ohm)	>+14dBm, balanced at stated %THD+N

#### General

Power

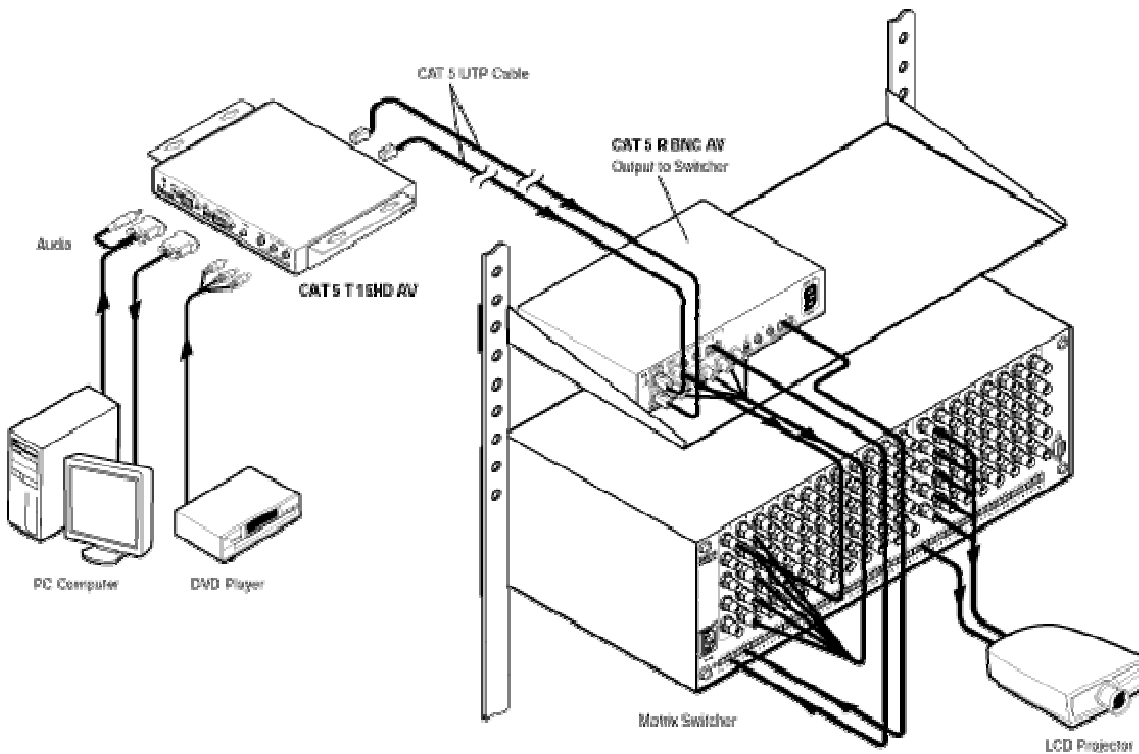


CAT 5 R BNC A,	
CAT 5 R AV	15VDC, 0.8A, external
CAT 5 R BNC AV	100VAC to 240VAC, 50/60 Hz, 40 watts, internal
<hr/>	
	Temperature/humidity: Storage -40° to +158°F (-40° to +70°C) / 10% to 90%, non-condensing
	Operating +32° to +122°F (0° to +50°C) / 10% to 90%, non-condensing
Rack mount	
CAT 5 R AV	No, but projector mountable with optional mounting kit (#70-077-04), furniture mountable with optional mounting brackets (#70-077-01 and #70-077-02).
CAT 5 R BNC A,	
CAT 5 R BNC AV	Yes, with optional 1U rack shelf, part #60-190-01 and rack shelf mounting kit #70-123-01. Also, projector mountable with optional mounting kit, part #70-077-04 or furniture mountable with optional mounting brackets #70-077-01, 70-077-02.
Enclosure type	Metal
Enclosure dimensions	
CAT 5 R BNC A	1.25" H x 8.7" W x 7.0" D 3.18 cm H x 22.10 cm W x 17.78 cm D (Depth excludes connectors.)
CAT 5 R BNC AV	1.68" H x 8.7" W x 7.0" D 4.27 cm H x 22.10 cm W x 17.78 cm D (Depth excludes connectors.)
CAT 5 R AV	1.25" H x 4.75" W x 7.0" D 3.18 cm H x 12.07 cm W x 17.78 cm D (Depth excludes connectors.)
Shipping weight	3 lbs: (1.4 kg)

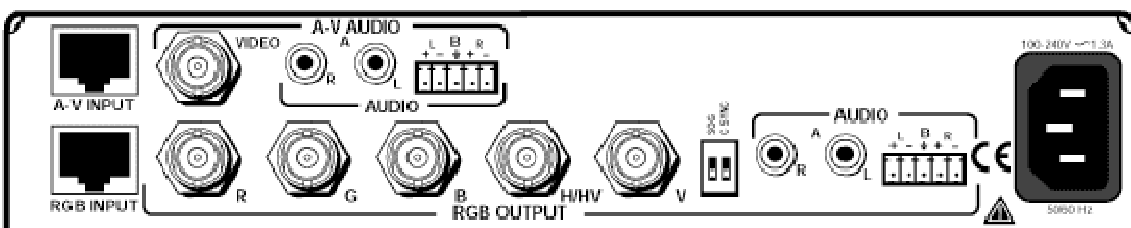
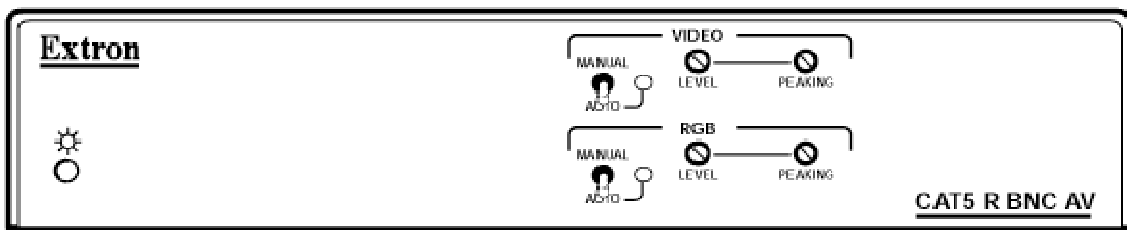


Vibration  
 Approvals  
 MTBF  
 Warranty  
**DIAGRAM**

ISTA/NSTA 1A in carton (International Safe Transit Association)  
 UL, CUL, CE, FCC Class A  
 30,000 hours  
 3 years parts and labor



**PANEL DRAWING**





© 2008 Extron Electronics. Specifications are subject to change without notice.