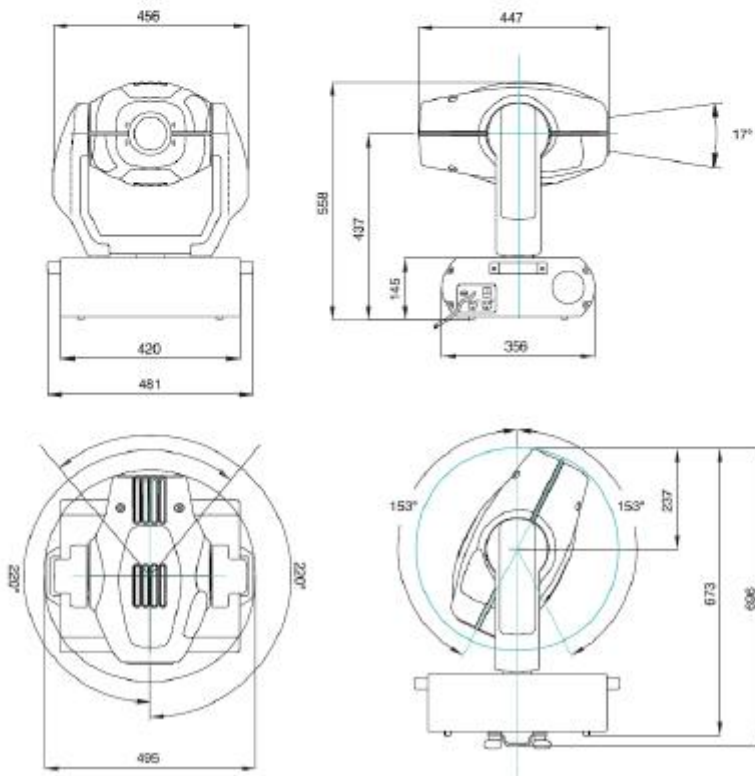


## Martin MAC 500/E





#### Measurements

- Length ..... 356 mm (14.0 in)
- Width ..... 481 mm (18.9 in)
- Height (head at tilt limit) ..... 673 mm (26.5 in)
- Weight, MAC 500 ..... 32.8 kg (72.1 lbs)
- Weight, MAC 500 E ..... 26.1 kg (57.4 lbs)

#### Electrical, MAC 500

- Ballast taps ..... 200/230/245V @ 50 Hz; 208/227V @ 60 Hz
- Power and current\* ..... 750 W, 3.4 A @ 230 V / 50 Hz; 750 W, 4.3 A @ 208 V / 60 Hz
- Power factor (PF)\* ..... 0.85

#### Electrical, MAC 500 E

- Transformer taps ..... 100/110/120/200/210/220/230/240 @ 50 - 60 Hz
- Power and current\* ..... 690 W, 3.2 A @ 230 V / 50 Hz
- Power factor (PF)\* ..... 0.94

#### Fuses

- Main fuse, MAC 500, MAC 500 E wired between 200 - 240 V ..... time-delay 6.3 A / 250 V, P/N 05020020
- Main fuse, MAC 500 E wired between 100 - 120 V ..... time-delay 10.0 A / 250 V, P/N 05020025
- Fuse F601 ..... time-delay 5.0 A / 250 V, P/N 05020018
- Fuse F602 ..... time-delay 4.0 A / 250 V, P/N 05020016
- Fuse F603 ..... time-delay 0.315 A / 250 V, P/N 05020004

#### Communication

- Hardware standard ..... RS-485
- Protocols ..... USITT DMX512 (1990) / Martin RS-485
- DMX start code ..... 0
- Recommended cable ..... 24 AWG (min.), low capacitance, 85-150  $\Omega$  shielded twisted pair
- Connector type ..... 3-pin XLR male/female (pin 1 = screen, pins 2 and 3 configurable +/-)

#### Compatible lamps

- Osram HSR-575/2 ..... 575 W, 85 lm/W, 1000 h avg. life, 6000K, P/N 97010200
- Osram HSD-575 ..... 575 W, 78 lm/W, 3000 h avg. life, 7200K, P/N 97010207
- Philips MSD-575 ..... 575 W, 75 lm/W, 2000 h avg. life, 5700K, P/N 97010202
- Philips MSR-575/2 ..... 575 W, 85 lm/W, 1000 h avg. life, 6100K, P/N 97010201

#### Photometric

- Center intensity w/ standard 17° lens set ..... 246,000 cd
- Center intensity w/ optional 23.5° lens set ..... 134,000 cd
- Total integrated luminous flux (with standard lens, MSR 575/2) ..... 9000 lm

#### Thermal

- Maximum ambient temperature ..... 40° C (104° F)
- Maximum surface temperature under normal operating conditions ..... 80° C (176° F)